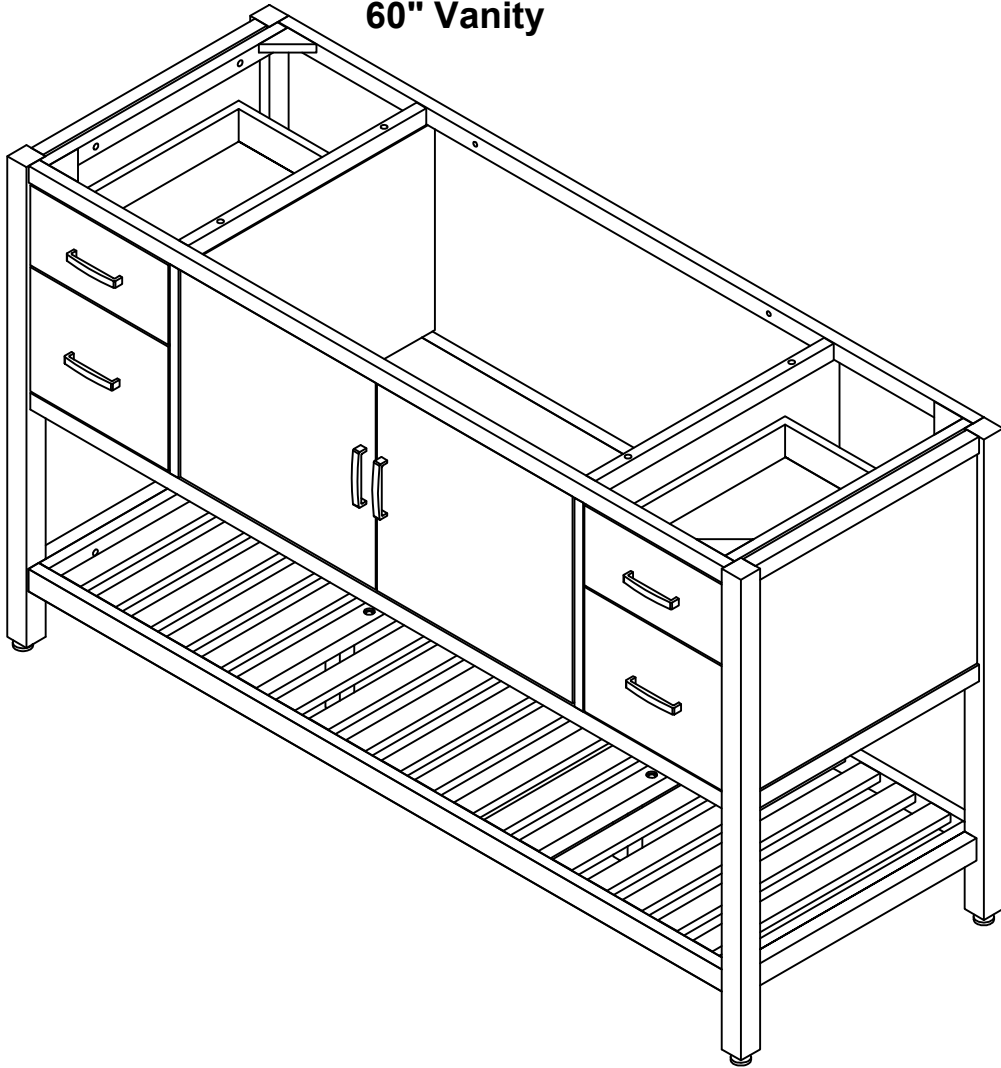


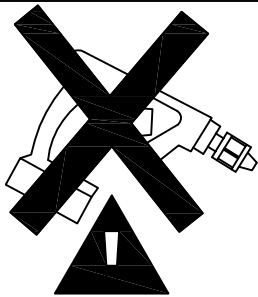
# ASSEMBLY INSTRUCTION

## 60" Vanity

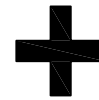
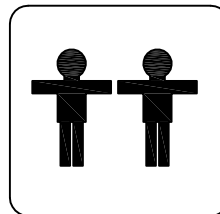


### REPLACEMENT PARTS

Please do not contact the company purchased from as we can help you faster.  
Order replacement parts and hardware at " [www.boltonfurniture.com](http://www.boltonfurniture.com) "

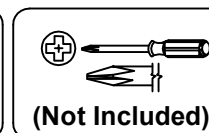
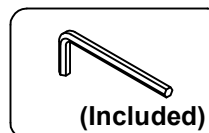


. Use of power tool to assemble this product will invalidate any claim and damage this product making it unsafe !!!  
. Please assemble on a clean soft surface to avoid damage.



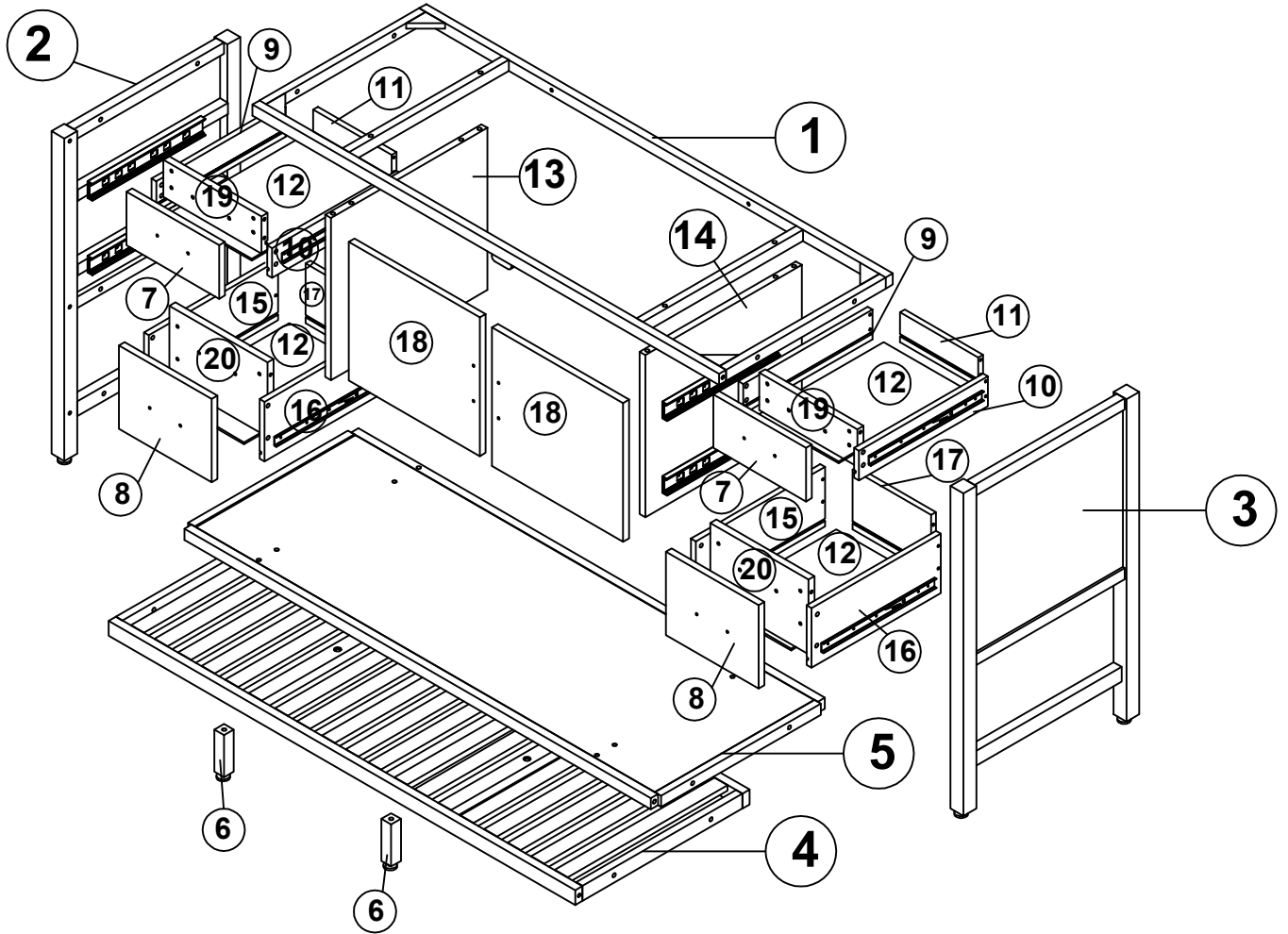
70 minutes

### Tools Required




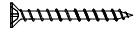



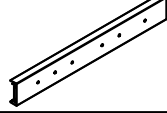
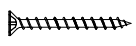
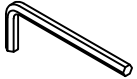



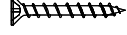


[www.boltonfurniture.com](http://www.boltonfurniture.com)

# Part list - 60" Vanity



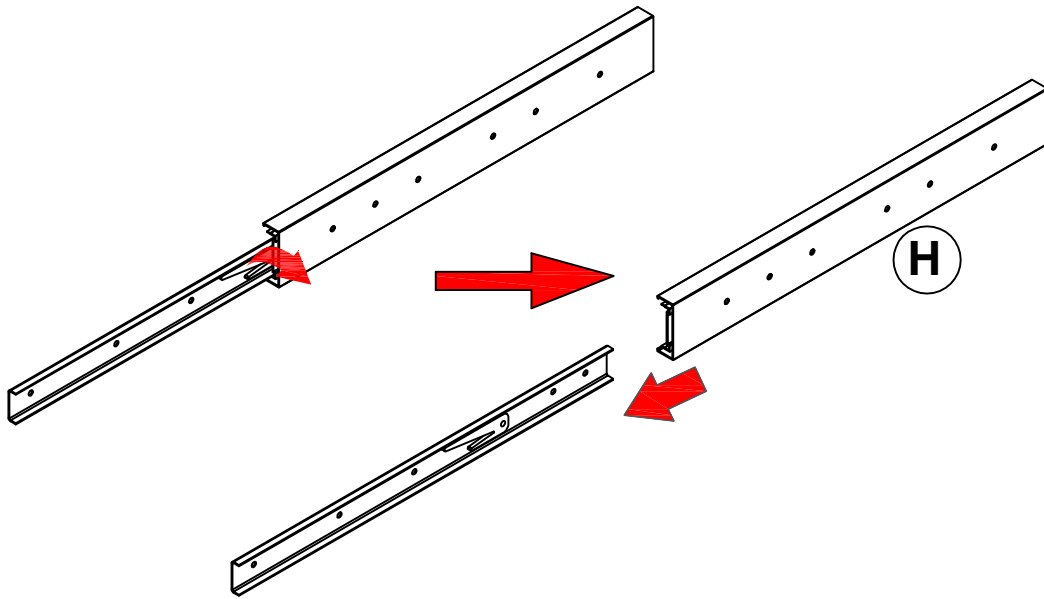
Identifying the hardware-Identify the hardware using the illustrations below

<b>A</b>  <b>14</b> Ø8*30mm Wood Dowel	<b>B</b>  <b>22</b> M6*45mm Bolt	<b>C</b>  <b>22</b> Ø6*16mm Washer
<b>D</b>  <b>32</b> 4*25mm Screw	<b>E</b>  <b>88</b> 3.5*15mm Screw	<b>F</b>  <b>06</b>
<b>G</b>  <b>12</b> 4*25mm Screw	<b>H</b>  <b>8</b>	<b>I</b>  <b>02</b> 4*50mm Screw
<b>K</b>  <b>01</b>	<b>L</b>  <b>32</b> Ø6*20mm Wood Dowel	<b>M</b>  <b>04</b>
<b>N</b>  <b>06</b>	<b>O</b>  <b>16</b> 4*20mm Screw	

[www.boltonfurniture.com](http://www.boltonfurniture.com)

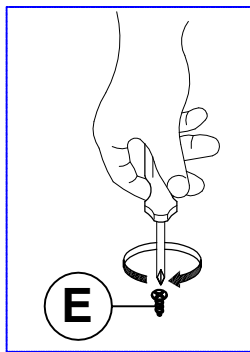
# Step 01


H  08





# X8

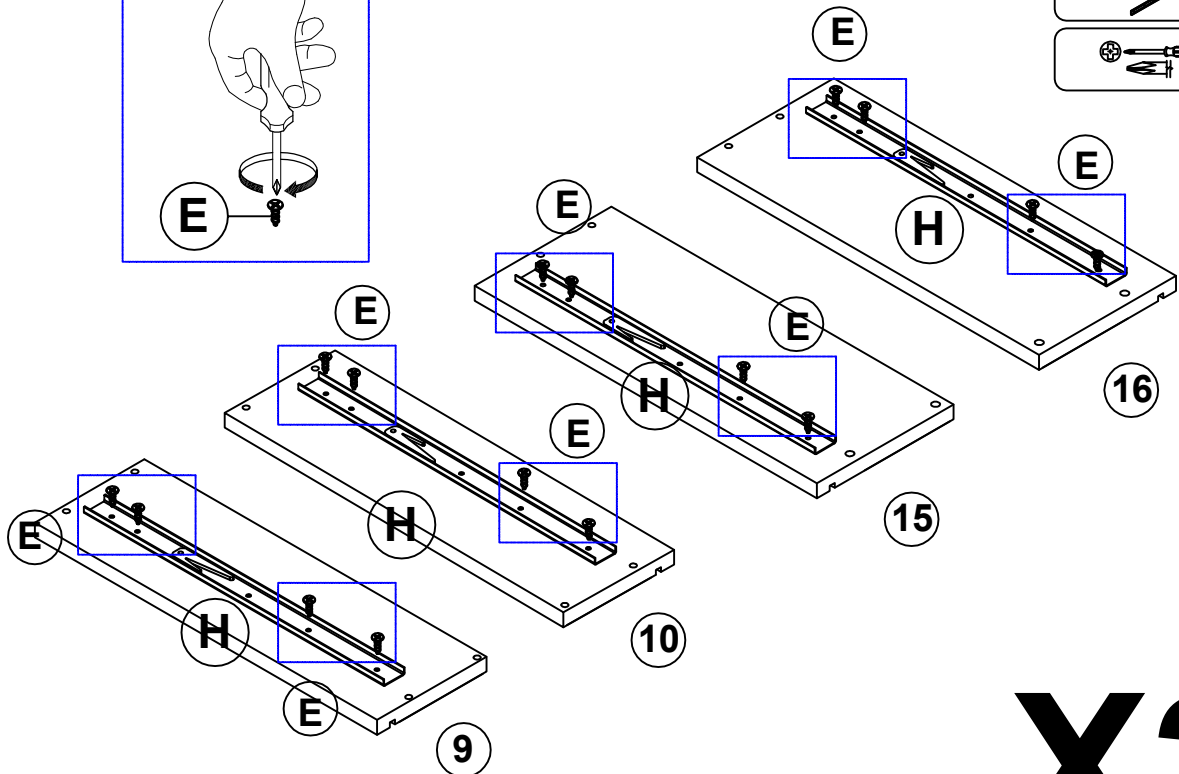
# Step 02



E  32  
3.5\*15mm Screw

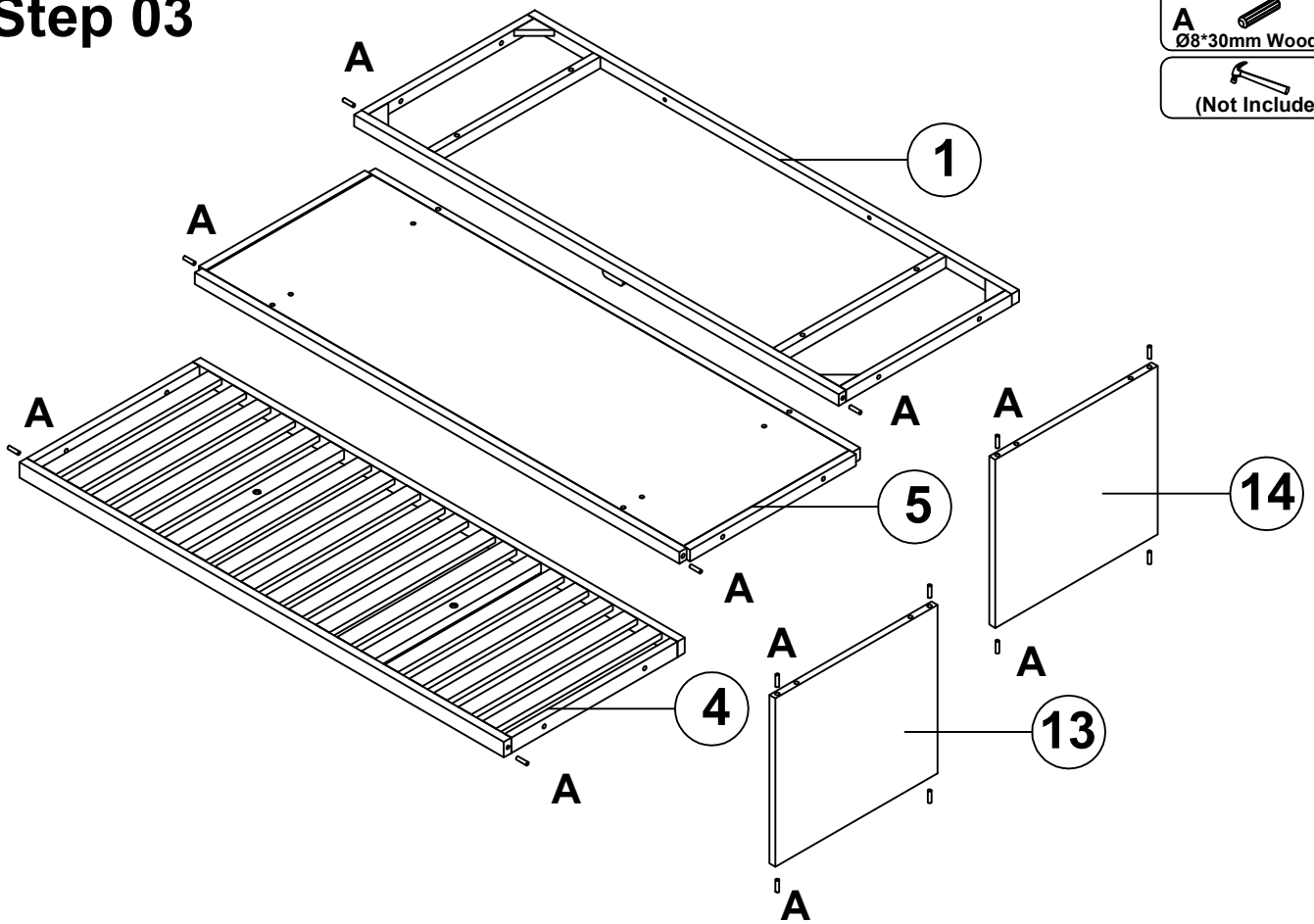
H  08

 01



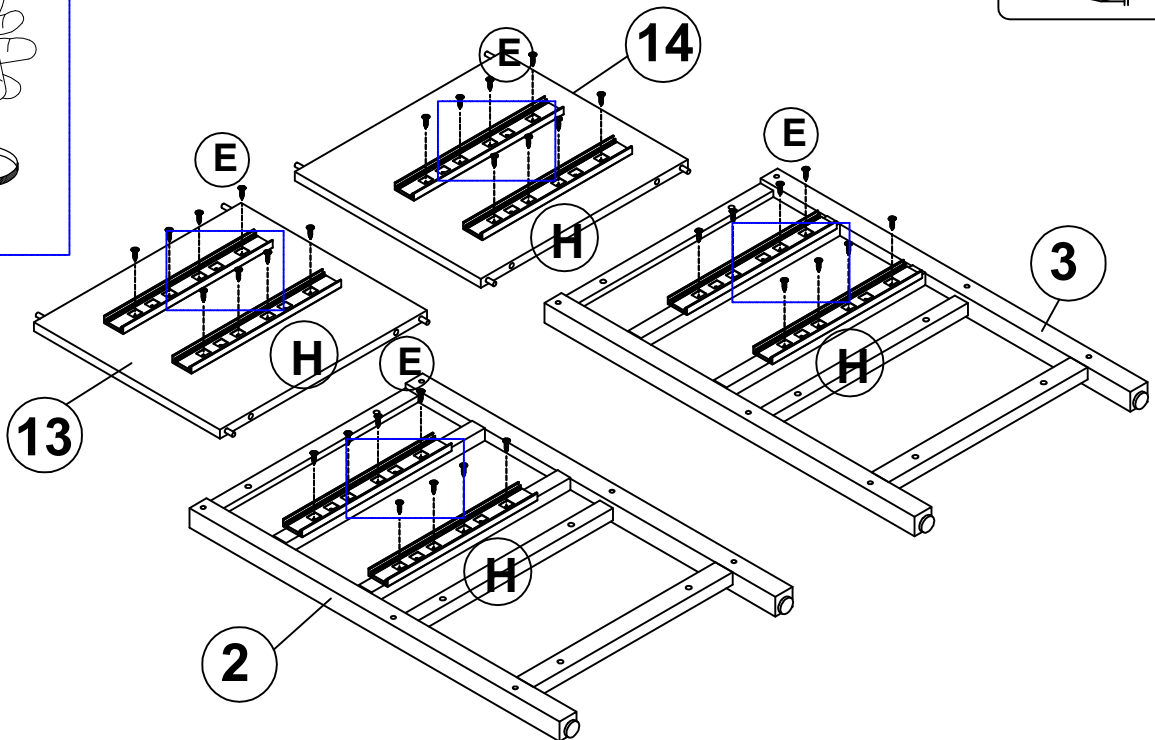
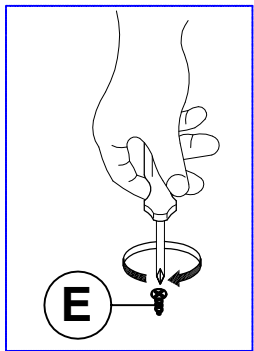
# X2




# Step 03



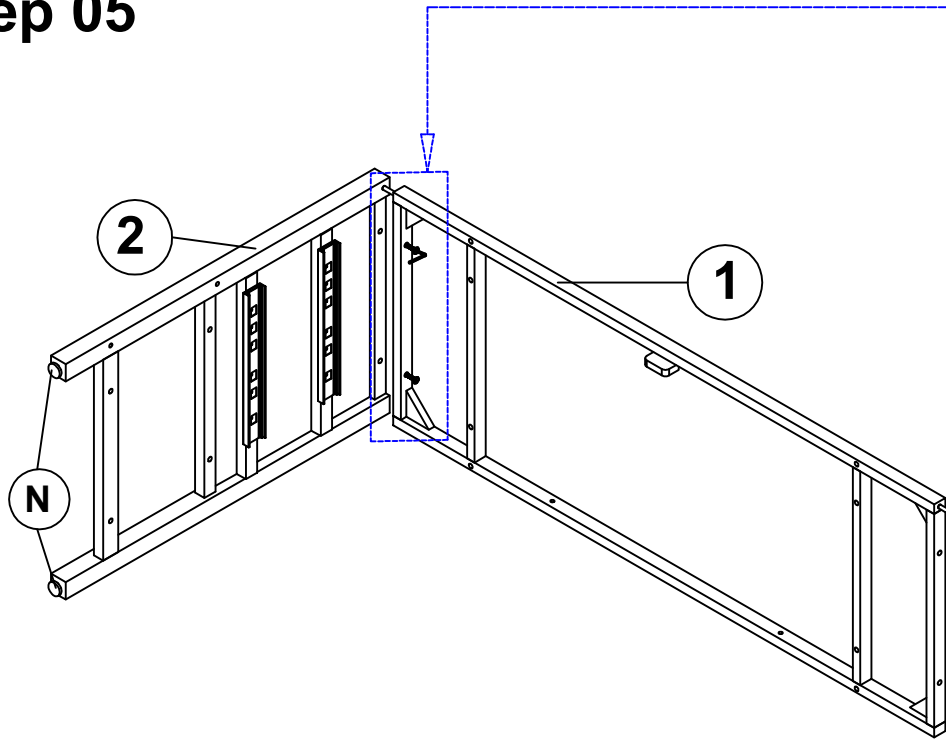
- A**  **14**  
Ø8\*30mm Wood Dowel
-  **01**  
(Not Included)



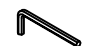
# Step 04

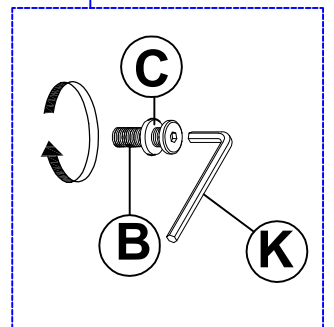


- E**  **32**  
3.5\*15mm Screw
- H**  **08**
-  **01**

# Step 05

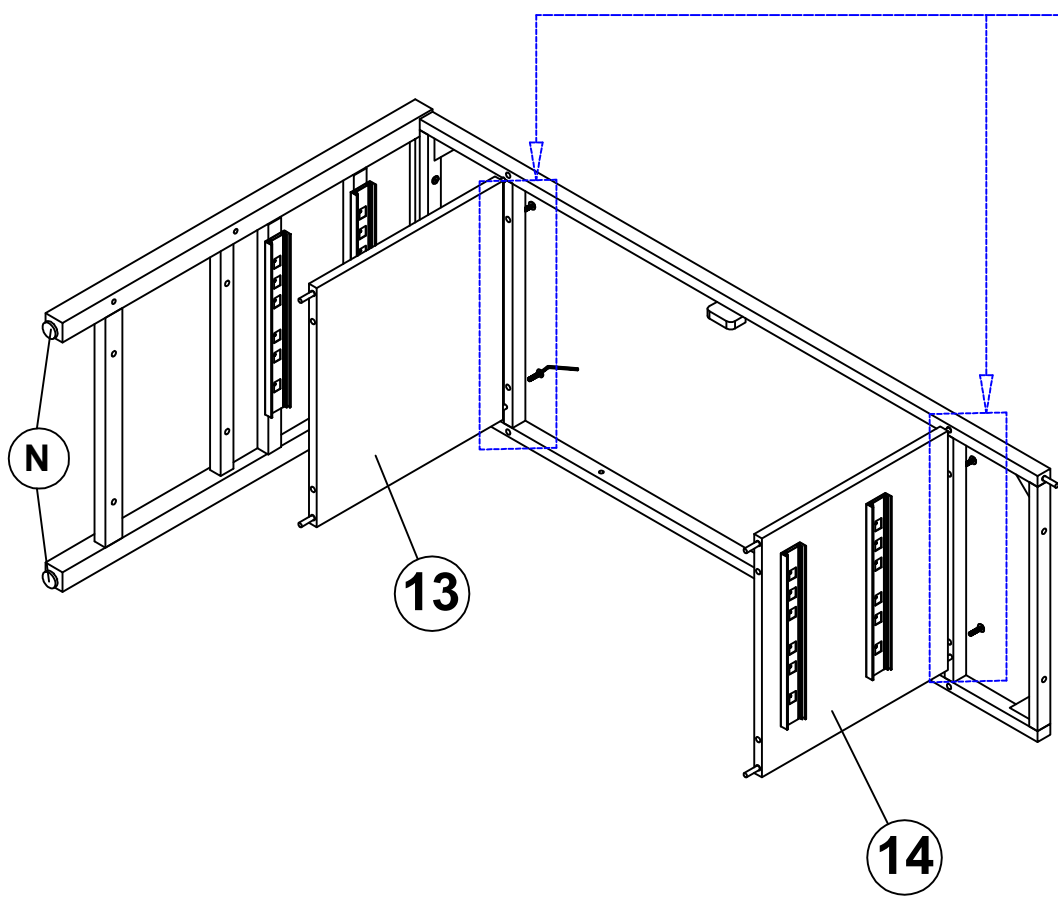




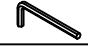
- B**  02  
M6\*45mm Bolt
- C**  02  
Ø6\*16mm Washer
- K**  01

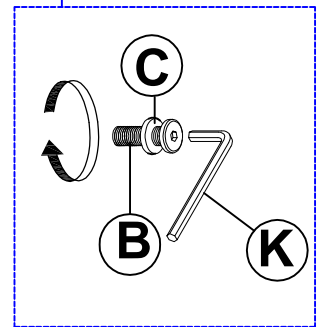


**Note: Do not tighten bolts firmly at this time**

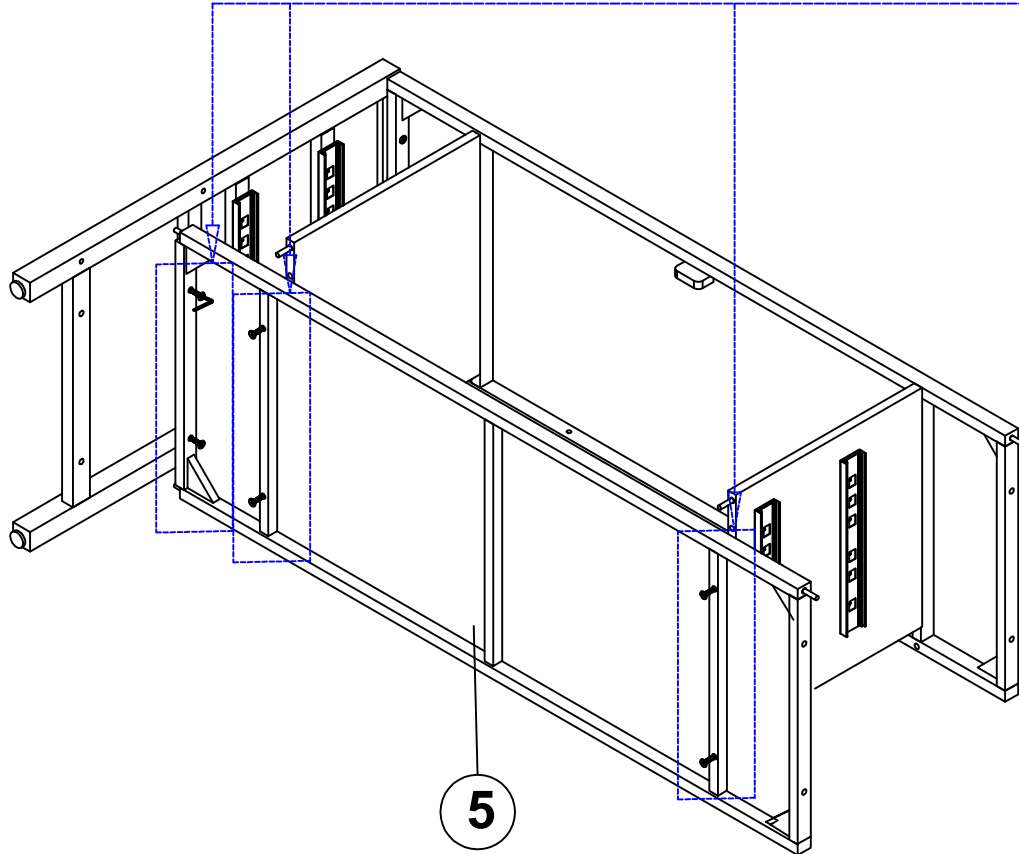
# Step 06






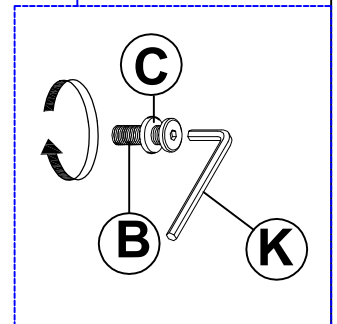
- B**  04  
M6\*45mm Bolt
- C**  04  
Ø6\*16mm Washer
- K**  01



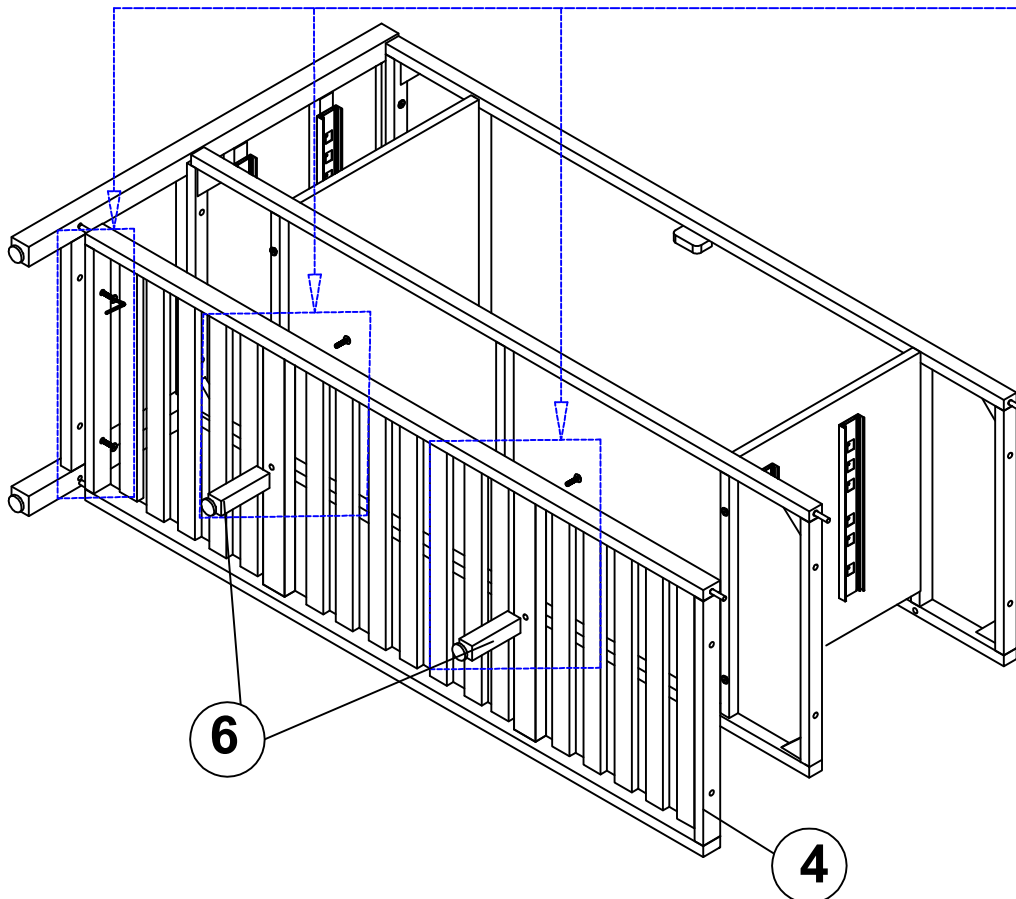
# Step 07






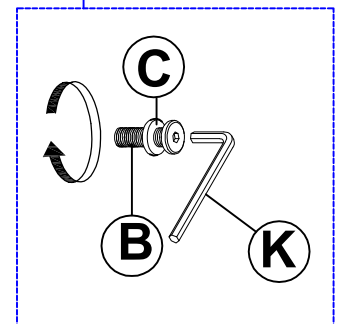
- B**  **06**  
M6\*45mm Bolt
- C**  **06**  
Ø6\*16mm Washer
- K**  **01**






# Step 08

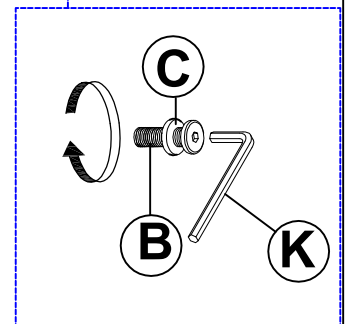
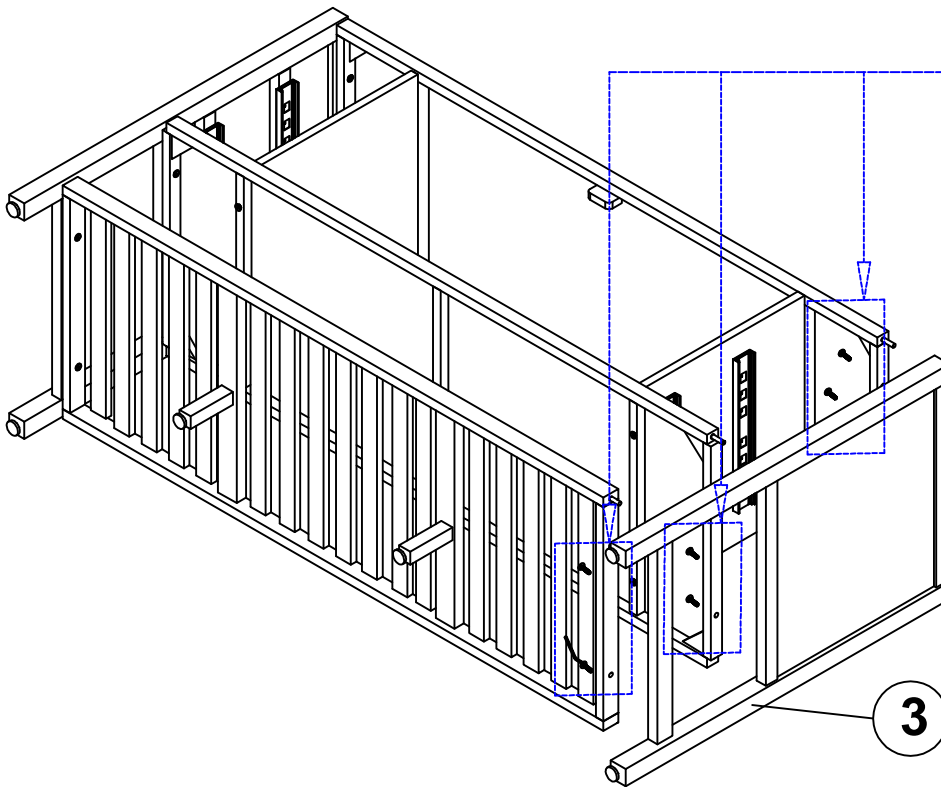


- B**  **04**  
M6\*45mm Bolt
- C**  **04**  
Ø6\*16mm Washer
- K**  **01**






# Step 09

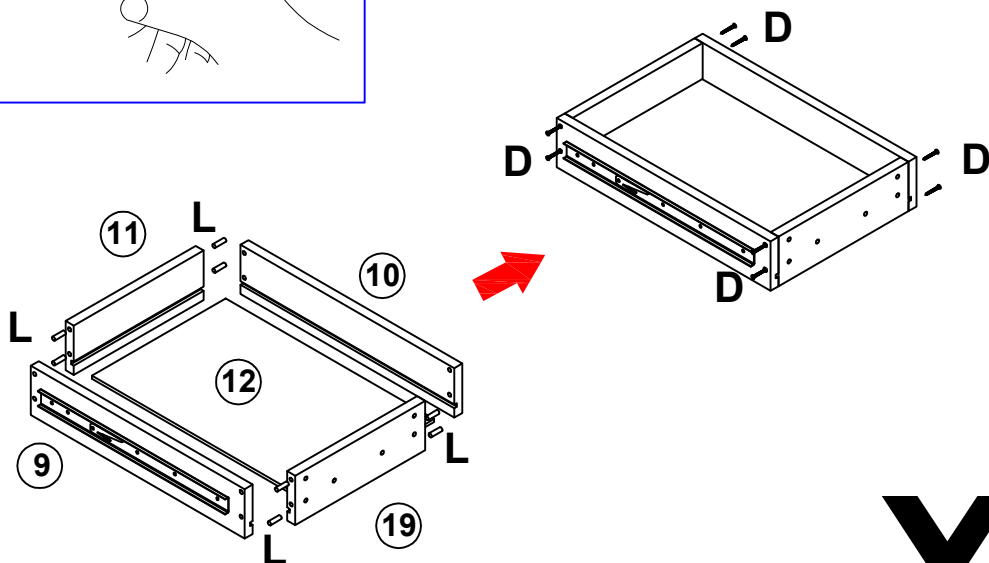
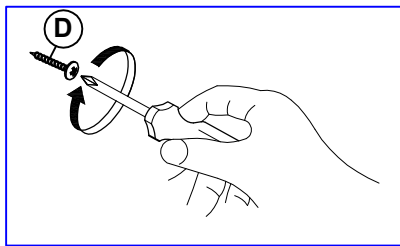
- B**  **06**  
M6\*45mm Bolt
- C**  **06**  
Ø6\*16mm Washer
- K**  **01**



**Note: Tighten all bolts at this time**

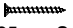
# Step 10

- D**  **16**  
4\*25mm Screw
-  **01**
- L**  **16**  
Ø6\*20mm Wood Dowel



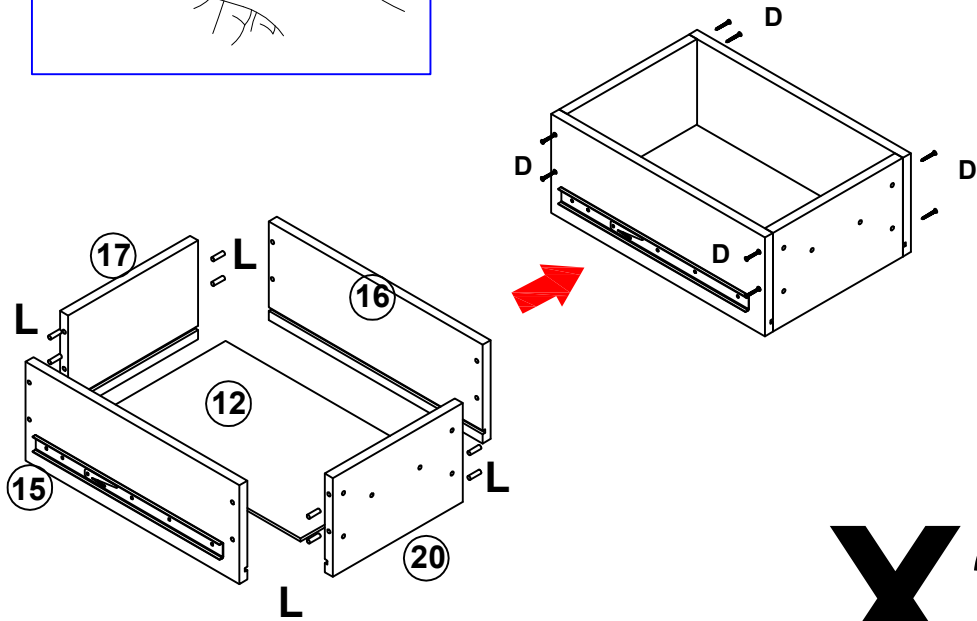
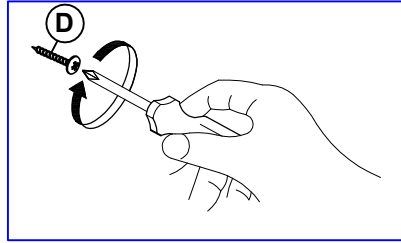
# X2

# Step 11

D  16  
4\*25mm Screw

 01

L  16  
Ø6\*20mm Wood Dowel



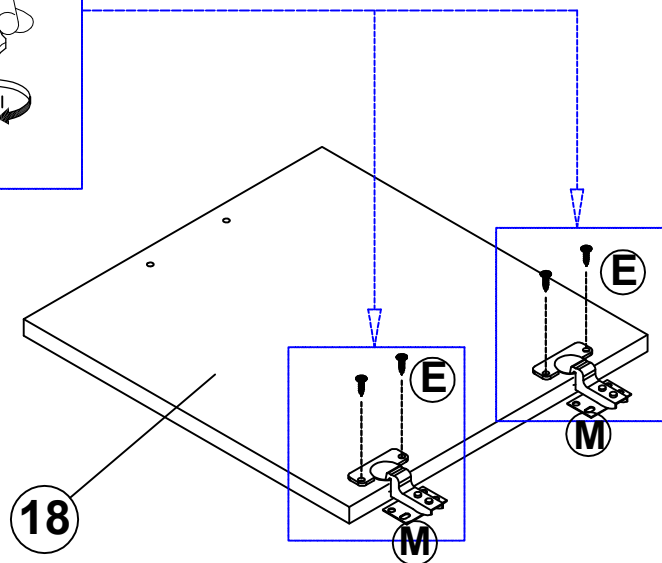
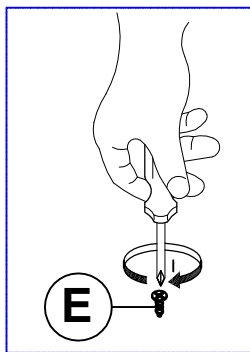
# X2

# Step 12

E  08  
3.5\*15mm Screw

 01





M  04

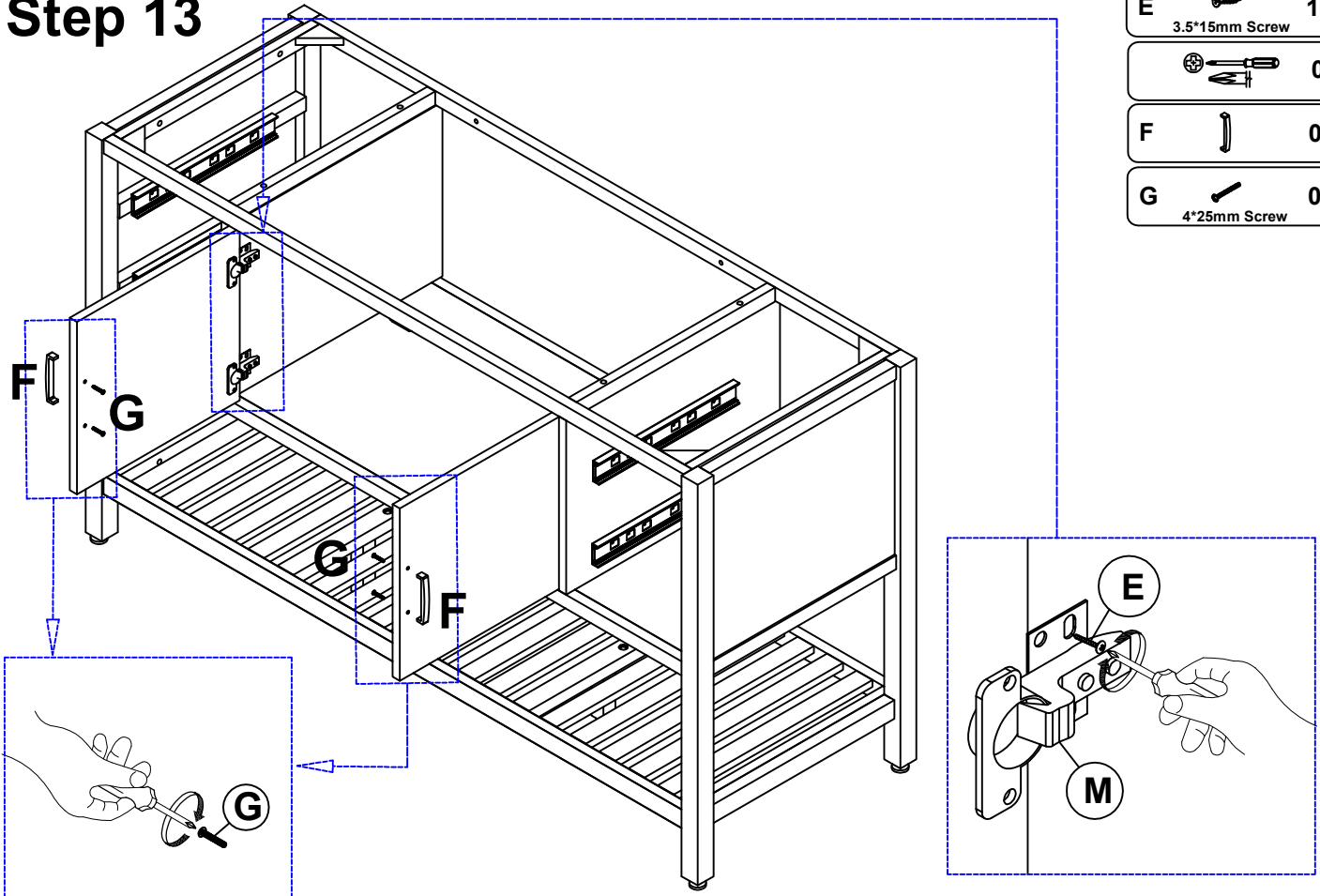


# X2

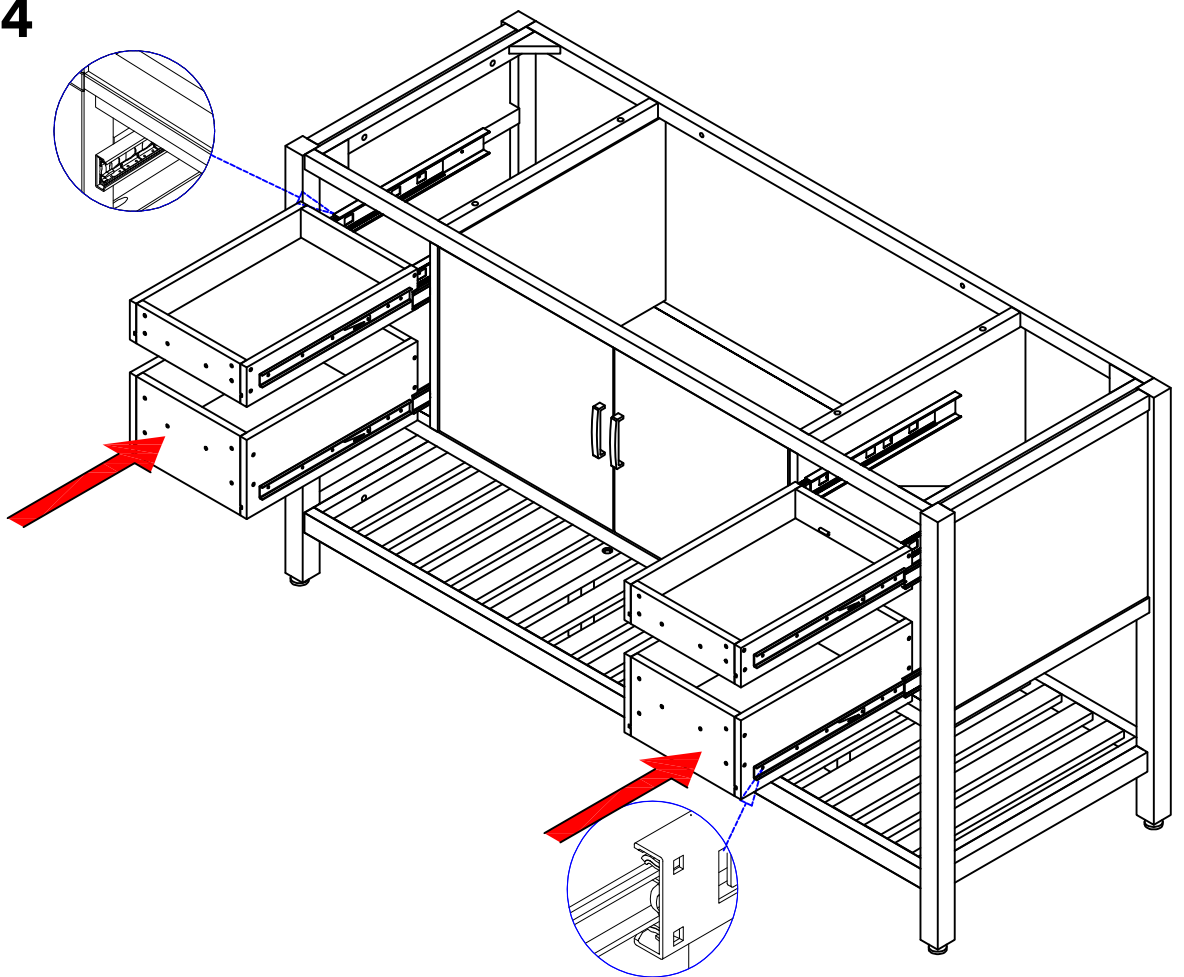


# Step 13



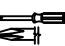
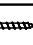
- E**  16  
3.5\*15mm Screw
-  01
- F**  02
- G**  04  
4\*25mm Screw

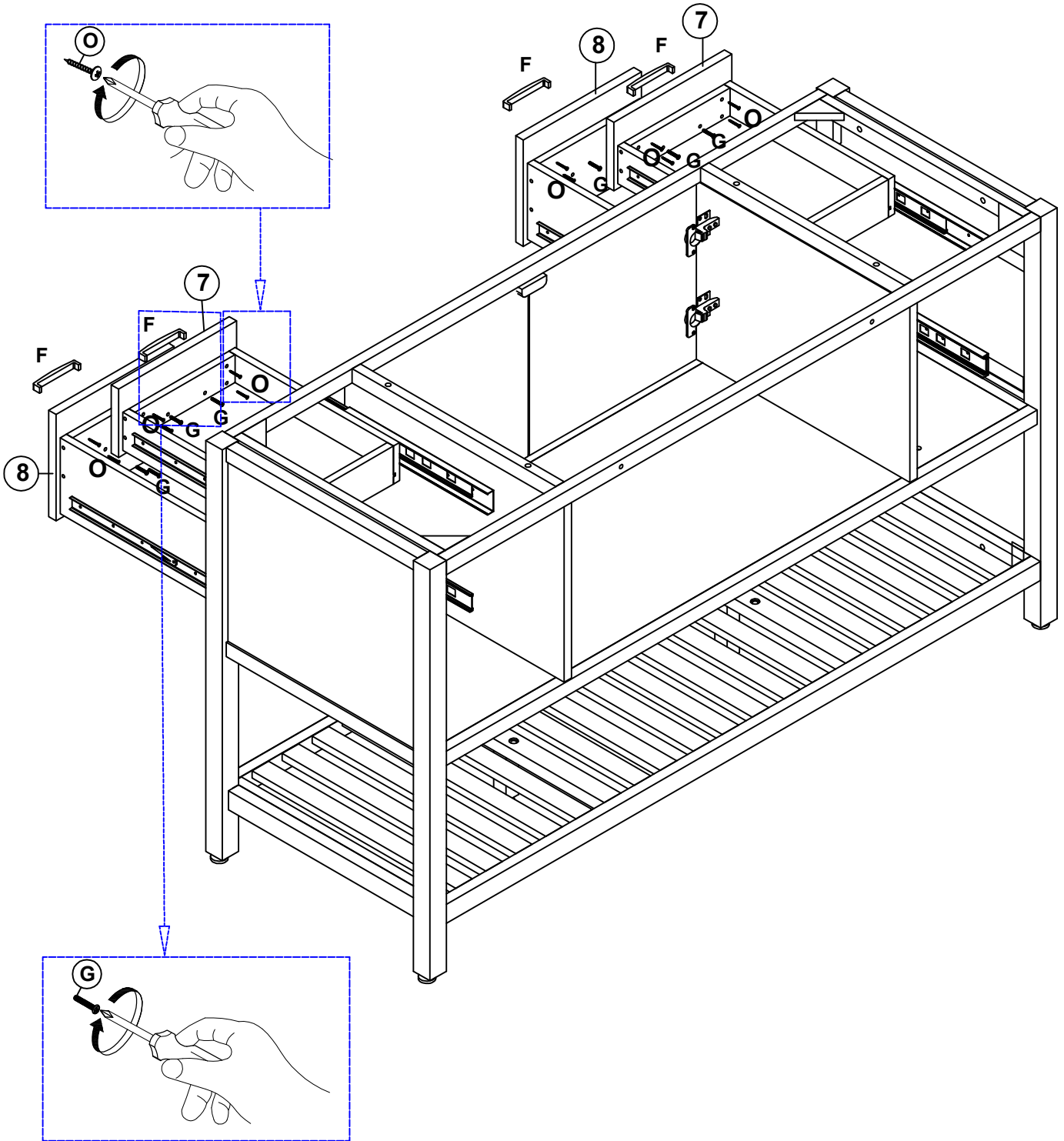


# Step 14



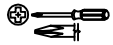
# Step 15

F		04
G	 4*25mm Screw	08
		01
O	 4*20mm Screw	16



# Step 16

I  02  
4\*50mm Screw

 01

- . Mark the location of the Studs in the wall on the stretcher rail.
- . Drill a 1/16" thru hole in the center of the Stretcher Rail at the location of the studs in the wall.
- . Secure the Vanity to the wall using screws (I)  
Make sure the screws align with the wall.

